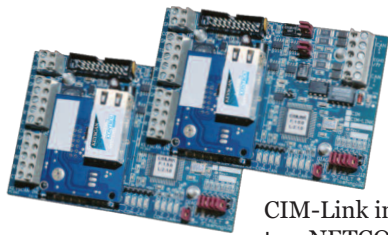


# Keyscan CIM-Link

*Global Network Connectivity Module*



CIM-Link includes two NETCOM2Ps

*A simple way to incorporate multiple CIM communication loops into a single global infrastructure*

## Next generation TCP-IP companion module

Keyscan CIM-Link is a TCP/IP companion module which incorporates multiple CIM CAN Bus communication loops into a single global infrastructure. This promotes even greater global communication flexibility. Keyscan's CIM-Link module extends CAN Bus based ACU to ACU commu-

nication via a common LAN/WAN network. This maximizes system design options by expanding ACU to ACU functionality to multiple independent CAN Bus global networks utilizing common LAN/WAN (TCP/IP) infrastructure.

**Ground Loop Tolerance:** Maximizes electrical isolation to earth ground providing tolerance against ground loops

**Enhanced Diagnostics:** Provides a myriad of communication diagnostics annunciated with on-board LEDs for quick and easy device-based troubleshooting.

**Network Adaptation:** Uses Keyscan's plug-on TCP/IP network adapter NETCOM2P/6P

**TCP/IP Tunneling:** Ensures uninterrupted and re-connect continuous communication between CIM-Links.

**Network Support:** Supports global functions between groups of multiple ACU panels or between a single ACU panel over an existing LAN/WAN network.

**Global Communication:** Utilizing the CAN Bus network, the CIM-Link delivers global communication capabilities. Access Control Units with direct connectivity with the CAN Bus network now provide ACU to ACU communication without server dependence.

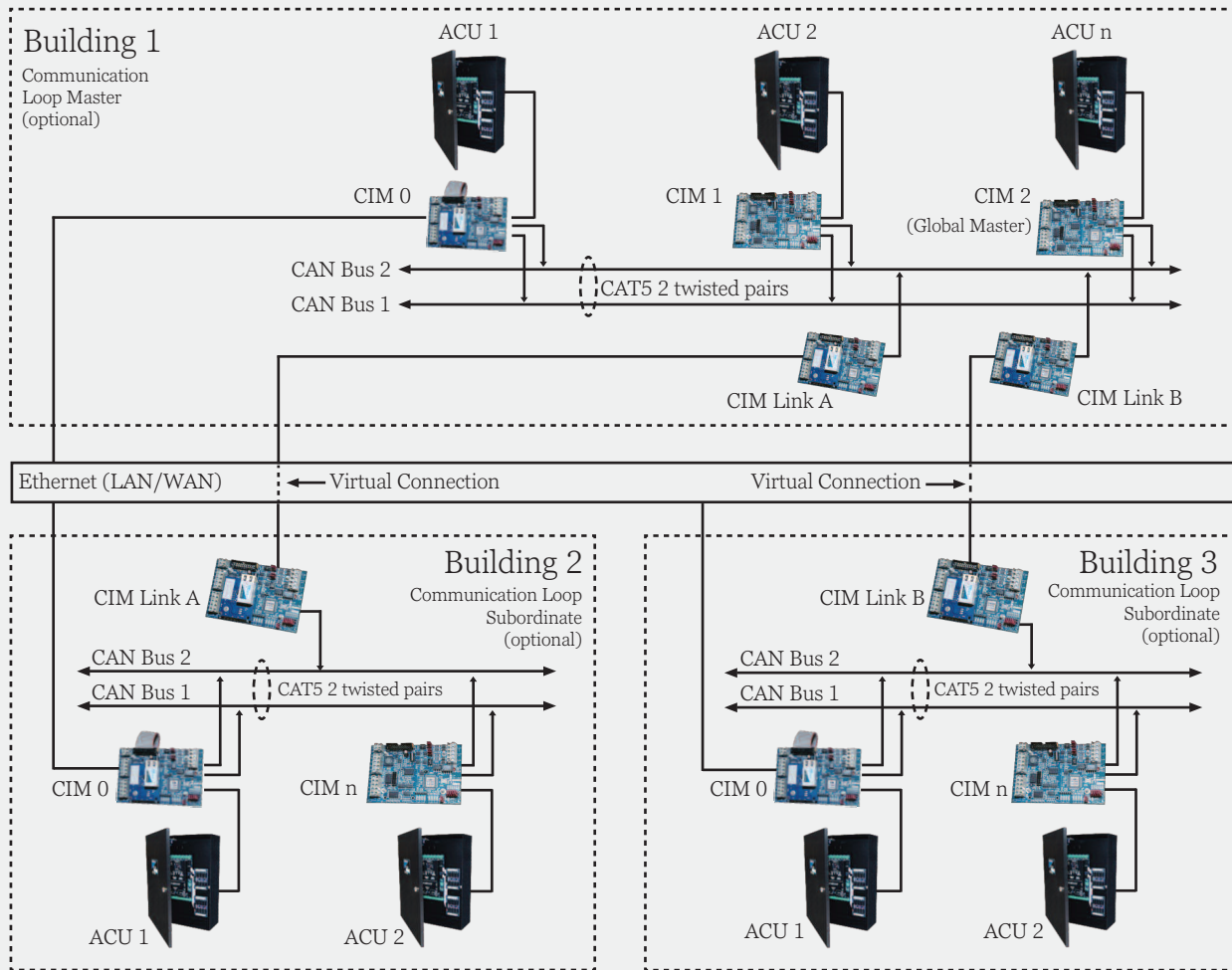
**Ribbon Cable:** Uses a simplified ribbon cable for fast installation.

**Fault Tolerance** Unlike traditional communication devices, if one Keyscan CIM-Link goes down due to unforeseen circumstances, it won't take the entire loop down with it. The CAN Bus communication protocol offers non-interrupted communication of remaining devices on the CAN Bus network.

## Specifications:

Operating Voltage:	12 VDC	CAN Bus:	Requires connection to CAN Bus 2 ACU to ACU global communication
Current Draw (CIM-Link):	290 mA (each)	Firmware:	Minimum EPROM versions 7.40/8.20
Dimensions:	4 5/8" x 3" (11.7 cm x 7.6 cm)	Software:	Aurora System 7.0.16 or higher Vantage 8.1.15 or higher
Operating Environment:	32 F - 140 F (0 C - 60 C)		
Topology:	Linear		
Network:	Requires LAN/WAN (TCP/IP) infrastructure		
Network support:	Standard, Encrypted		

## Applications - Connecting multiple CIM communication loops



Electronic Access & Data (EAD)  
 Keyscan Inc.  
 901 Burns St., E., Whitby, Ontario  
 Canada L1N 0E6

1 888 539-7226 | [www.keyscaan.ca](http://www.keyscaan.ca)

KKT2052 2016-05