

Panel Communications	Wiring	Maximum Distance
Reader to ACU	22 AWG 3 pair shielded 18 AWG 3 pair shielded	500 ft (152 m)
Door Lock to ACU	18 AWG 1 pair	500 ft (152 m)
Door Contact to ACU	22 AWG 1 pair	500 ft (152 m)
Request to Exit (RTE) to ACU	22 AWG 2 pair	500 ft (152 m)
ACU to ACU (CIM)	CAT5 2 twisted pair	*3280 ft (1000m)

\* Refer to CIM Distancing in set-up guide  
 \*\* Note - Baud rate dependant

PC Communication Options	Wiring	Maximum Distance
Serial RS-232	22 AWG 5 conductor shielded	100 ft (30.5 m)
RS-485	22 AWG 2 pair twisted CAT5	2000 ft (609.6 m)
LAN/WAN (TCP/IP)	CAT5	328 ft (100 m)
USB-SER** (USB Adaptor) - RS-232	22 AWG 5 pair conductor shielded	100 ft (30.5 m)
USB-SER** (USB Adaptor) - RS-485	22 AWG 2 pair twisted CAT5	2000 ft (609.6 m)
CAN Bus (1 & 2)	CAT5 twisted pair each	*3280 ft (1000m)

## PC Specifications:

The following list outlines minimum PC requirements to operate the System VII Software:

- Central processing unit (CPU) - Intel Pentium Dual Core 2.2 GHz or higher; Intel Core Duo 2.6 GHz or higher (Celeron and AMD are not recommended)
- RAM - 2 gigabyte (GB) or greater
- Hard disk capacity - 100 gigabytes (GB) of available memory
- USB - One (1) USB 2 port for photo badging or use of USB-CAM
- COM Port - One (1) required if using direct serial connection to Access Control Units; Two (2) ports required if using CCTV control
- CD ROM or DVD ROM drive
- Removeable media storage device for data backup
- Mouse or compatible pointing device
- Network Interface Card (NIC) with TCP/IP protocol
- Graphics card supporting 1024 x 768 (or higher) screen resolution
- Microsoft Internet Explorer 6.0 SP1 or later
- Microsoft .NET 2.0 Framework

## Operating System for System VII software: *Note: Keyscan System VII software is a 32-bit application.*

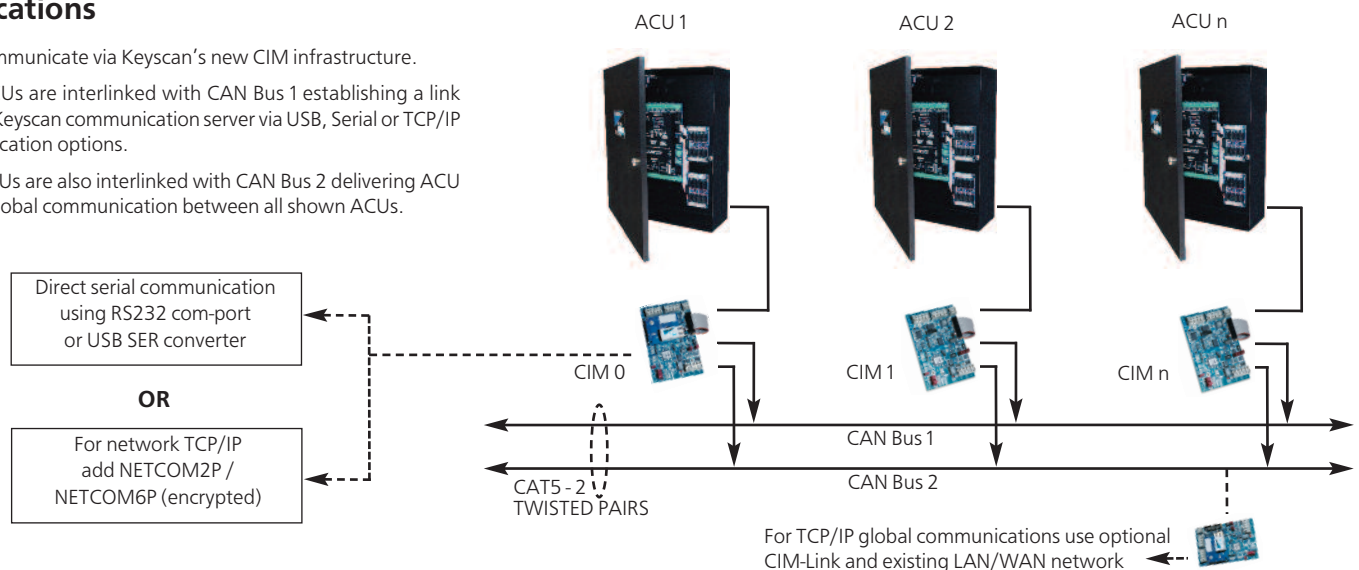
- Windows 2008 Server,
- Windows 7 Professional™; Windows 7 Enterprise™; Windows 7 Ultimate™,
- Vista Business™,
- XP Professional™ with Service Pack 3 (SP3) or later,
- Windows 2003 Server™

## Applications

ACUs communicate via Keyscan's new CIM infrastructure.

These ACUs are interlinked with CAN Bus 1 establishing a link with the Keyscan communication server via USB, Serial or TCP/IP communication options.

These ACUs are also interlinked with CAN Bus 2 delivering ACU to ACU global communication between all shown ACUs.



# Technical Specifications

## KEYSCAN'S FULL LINE UP OF ACCESS CONTROL UNITS

		PoE Single Door Control System	Multiple Reader Access Control Systems				Elevator Floor Control Systems	
								
		CA150	CA250	CA4500	CA8500	EC1500	EC2500	
Access Control Unit	Doors/Elevator Floors Supported	1 door	2 doors	4 doors	8 doors	1 cab (up to 40 floors)	2 cabs (up to 16 floors)	
	Reader Ports	2 (In/Out)	2	4	8	1	2	
	Multi-ACU Compatibility	Yes (Ethernet)	Yes	Yes	Yes	Yes	Yes	
	System Status LEDs	Yes	Yes	Yes	Yes	Yes	Yes	
	Dual Processors	Yes	Yes	Yes	Yes	Yes	Yes	
	Flash Memory	Yes	Yes	Yes	Yes	Yes	Yes	
	Power Fail Output	NA	Yes	Yes	Yes	Yes	Yes	
	Floor Monitor Inputs (Supervised)	NA	NA	NA	NA	Yes	Yes	
Inputs	Request to Exit (RTE) Inputs (Supervised)	1	2	4	8	NA	NA	
	Door Contact Inputs	1	2	4	8	NA	NA	
	Auxiliary Inputs (Supervised)	2	8	16	16	NA	NA	
	I/O Input Expansion	NA	NA	64 (banks of 16)	64 (banks of 16)	NA	NA	
Outputs	Auxiliary Output Relays	1	2	4	8	NA	NA	
	Expansion Auxiliary Output Relays	NA	NA	8	8	NA	NA	
	I/O Outputs	NA	NA	64 (banks of 16)	64 (banks of 16)	NA	NA	
	Door Output Relays	1	2	4	8	NA	NA	
Capacity	No. of Cardholders	32,000	32,000	32,000	32,000	32,000	32,000	
	Transaction File Buffer	6000	6000	6000	6000	6000	6000	
	Time Zones	256	256	256	256	256	256	
	Time Schedules	512	512	512	512	512	512	
	Group Levels	511	511	511	511	511	511	
	Holiday Dates	64	64	64	64	64	64	
Connectivity	Ethernet Ready	Equipped	Optional	Optional	Optional	Optional	Optional	
	PoE - Power over Ethernet (IEEE 802.3af)	Equipped	NA	NA	NA	NA	NA	
	CMAC Reverse IP	Equipped	Optional	Optional	Optional	Optional	Optional	
	Serial Communication	Yes (single panel)	Yes	Yes	Yes	Yes	Yes	



901 Burns Street East  
Whitby, Ontario, L1N 6A6, Canada  
Toll Free: 1.888.KEYSCAN (Canada/US)  
Tel: +1.905.430.7226  
Web: www.keyscan.ca

KEY 2013-01